

KBPC3005 THRU KBPC310



KBPC3005 THRU KBPC310

Electrical Characteristics ($T_a=25$ Unless otherwise specified)

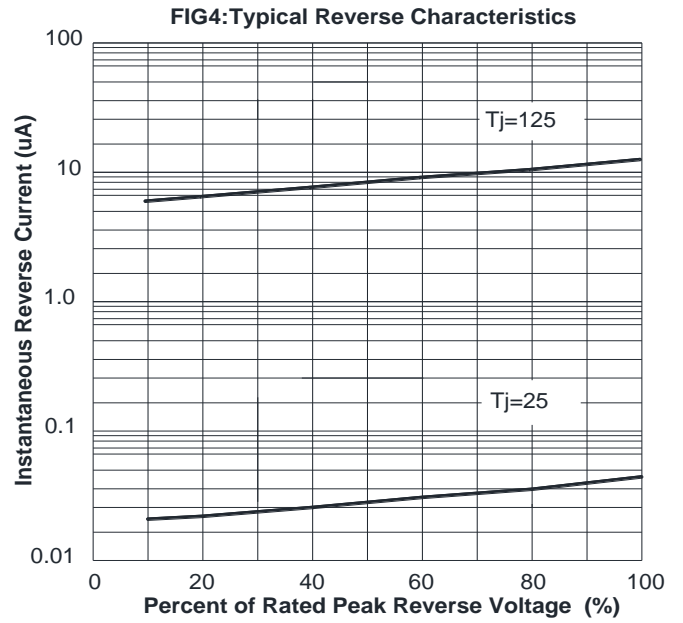
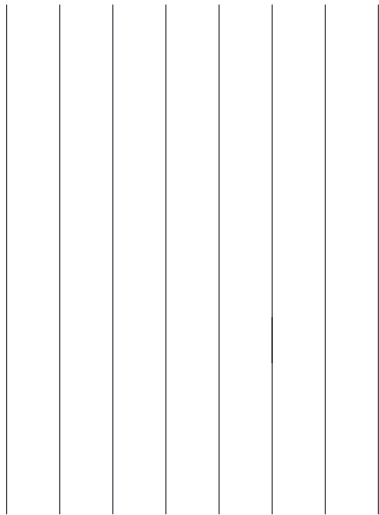
PARAMETER	SYMBOL	UNIT	TEST CONDITIONS	KBPC3005	KBPC301	KBPC302	KBPC304	KBPC306	KBPC308	KBPC310
Maximum instantaneous forward voltage drop per diode	V_F	V	$I_{FM}=1.5A$				1.05			
Maximum DC reverse current at rated DC blocking voltage per diode	I_R		$T_j=25$				5			
			$T_j=125$				100			
Typical junction capacitance	C_j	pF	Measured at 1MHz and Applied Reverse Voltage of 4.0 V.D.C				11			

Thermal Characteristics ($T_a=25$ Unless otherwise specified)

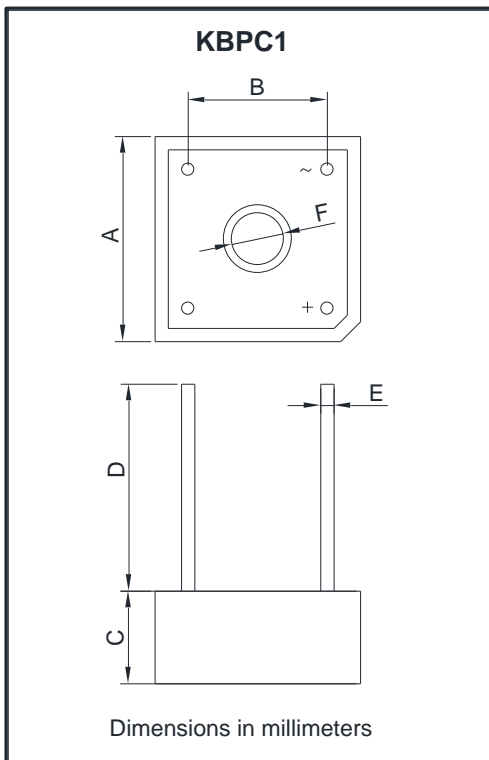
PARAMETER	SYMBOL	UNIT	KBPC3005	KBPC301	KBPC302	KBPC304	KBPC306	KBPC308
-----------	--------	------	----------	---------	---------	---------	---------	---------



KBPC3005 THRU KBPC310



Outline Dimensions



KBPC1		
Dim	Min	Max
A	14.7	15.7
B	10.3	11.3
C	6.35	7.6
D	15.0	/
E	0.74	0.82
F	3.8	4.2

